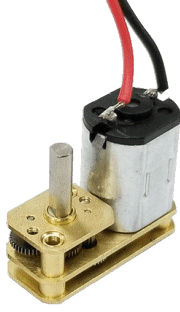
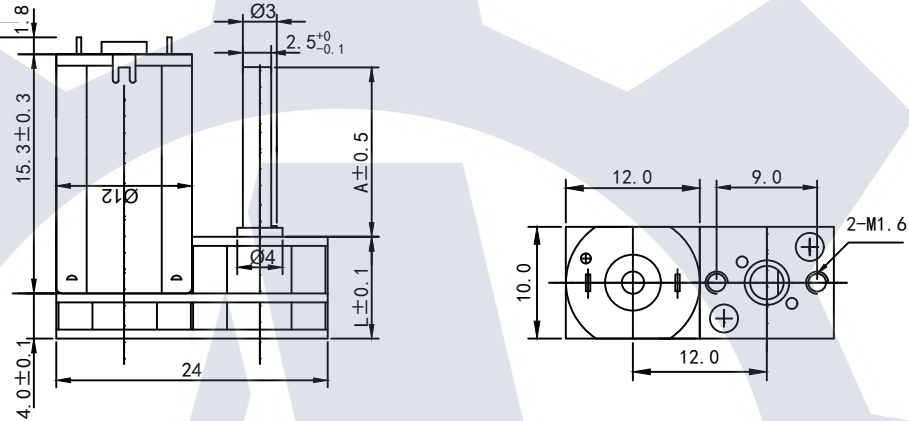


FAGMR24-N20



Number of stages	2	4	5	7
Reduction ratio	3,5,10	17,20,30,36,50,63,75,100	110, 150, 210,250,298, 380	372, 625, 1000
Gearbox length 'L' mm	9	9	9	12
Shaft length 'A' mm	Standard length: 4.5, 10, free custom; Standard shape: Ø3 D-cut 0.5mm, other: dual flat, M3, M4, etc.			
Breaking torque(kgf.cm)	0.6	0.9~1.2	1.5~2	3
Gearbox efficiency	81%	65%	59%	48%

外形尺寸 DIMENSION



UNIT: MILLIMETERS

直流正齿减速电机参数

SPUR GEARED MICRO DC MOTOR SPECS (voltage, current, torque, etc free customization)

电压 Voltage	级数 number of stages	2		3		4				5				7	
	减速比 Gear Ratio	10	23	30	50	63	75	100	110	150	210	250	298	380	1000
2.4V	额定扭力 kgf.cm Rated Torque	0.02	0.04	0.06	0.09	0.11	0.13	0.17	0.17	0.23	0.33	0.39	0.46	0.59	1.29
	额定转速 RPM Rated Speed	1210	526	403	242	192	161	121	110	81	58	48	41	32	12
	瞬间容许扭力 kgf.cm Max Allowable Moment Torque	1.5	1.5	1.5	1.5	1.5	1.5	1.5	1.5	1.5	1.5	1.5	1.5	1.5	1.5
	空载转速 RPM No Load Speed	1480	643	493	296	235	197	148	135	99	70	59	50	39	15
5V	额定扭力 kgf.cm Rated Torque	0.02	0.04	0.06	0.09	0.11	0.13	0.17	0.17	0.23	0.33	0.39	0.46	0.59	1.29
	额定转速 RPM Rated Speed	1200	522	400	240	190	160	120	109	80	57	48	40	32	12
	瞬间容许扭力 kgf.cm Max Allowable Moment Torque	1.5	1.5	1.5	1.5	1.5	1.5	1.5	1.5	1.5	1.5	1.5	1.5	1.5	1.5
	空载转速 RPM No Load Speed	1480.0	643.5	493.3	296.0	234.9	197.3	148.0	134.5	98.7	70.5	59.2	49.7	38.9	14.8

电机参数 MICRO DC MOTOR SPECS (voltage, current, torque, etc free customization)

型号 Model	额定电压 Rated Voltage	空载 No Load		额定负载 RATED LOAD					堵转 Stall	
		转速 Speed	电流 Current	转速 Speed	电流 Current	扭矩 Torque	输出功率 Output	效率 Efficiency	扭矩 Torque	电流 Current
	VDC	RPM	A	RPM	A	gf.cm	W	%	gf.cm	A
FAFF-N20-13110	2.4	14800	0.06	12100	0.26	2.5	0.311	49.8	14	1.2
FAFF-N20-09220	5	14800	0.03	12000	0.12	2.5	0.308	51.3	13	0.52