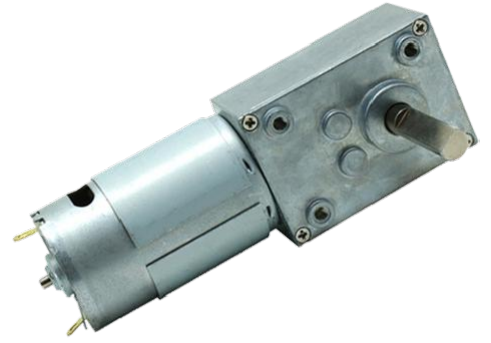


WG5840-555

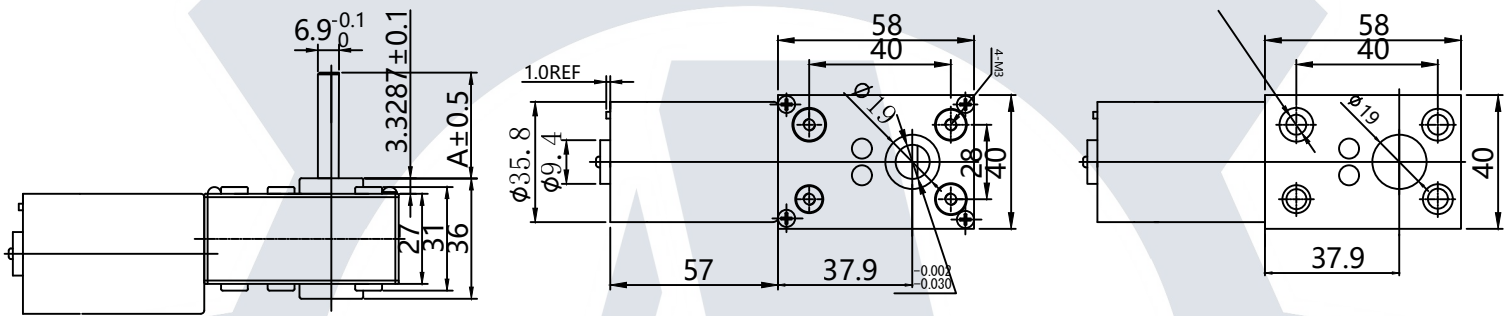
典型应用 Typical Applications

自动阀门	Automatic valve
保险箱	Safe
油烟机	Range hood
电动窗帘	Electrical Curtain
智能机器人	Smart Robotics
电动防火窗	Fire window



外形尺寸 DIMENSION Shaft length A(mm): Customizable

UNIT:MM



直流减速电机参数

GEARED MICRO DC MOTOR SPECS (voltage, current, torque, etc free customization)

参数 Gearbox Reducer specs	级数 Stages		3					4						
	减速比 Gear Ratio		47.4	54	109	120.5	139	212	305	326.5	777	894	1067	1211
	齿轮箱长度(mm) Gearbox Length		58											
蜗杆减速直流电机参数 Worm Geared DC Motor specs	6V	空载转速(RPM) No load speed	69.5	61	30.3	27.4	23.7	15.6	10.8	10	4.2	3.7	3	2.7
		额定转速(RPM) Rated speed	57	50	24.8	22.4	19.4	12.7	8.9	8.3	3.5	3	2.5	2.2
		额定扭矩(N.m) Rated torque	0.233	0.265	0.535	0.592	0.682	1.041	0.998	1.069	2.543	2.926	3.493	3.964
		输出功率(W) Output Power	1.39	1.39	13.9	13.9	1.39	1.38	0.93	0.93	0.93	0.92	0.91	0.91
		瞬间允许扭矩(N.m) Max breaking torque	1.394	1.588	3.205	3.543	4.087	x	x	x	x	x	x	x
	12V	空载转速(RPM) No load speed	97	85	42.2	38.2	33	21.7	15	14	5.9	5	4.3	3.8
		额定转速(RPM) Rated speed	82.3	72	35.8	32.4	28	18.4	12.8	11.9	5	4.4	3.7	3.2
		额定扭矩(N.m) Rated torque	0.293	0.333	0.673	0.744	0.858	1.309	1.255	1.344	3.198	3.68	4.392	4.984
		输出功率(W) Output Power	2.52	2.51	2.52	2.52	2.51	2.52	1.68	1.67	1.67	1.69	1.7	1.67
		瞬间允许扭矩(N.m) Max breaking torque	1.812	2.064	4.166	x	x	x	x	x	x	x	x	x

电机参数 MICRO DC MOTOR SPECS(voltage, current, torque, etc free customization)

型号 Model	额定电压 Rated Volt	空载 No load		额定 Rated				堵转 Stall	
		转速 speed	电流 current	转速 speed	电流 current	扭矩torque	输出output	扭矩torque	电流 current
		V	RPM	A	RPM	A	gf.cm	W	gf.cm
RS-550-3780	6	3300	0.25	2700	1.3	167	4.62	1000	6.7
RS-555-3156	12	4600	0.23	3900	1.3	210	8.4	1300	5.5