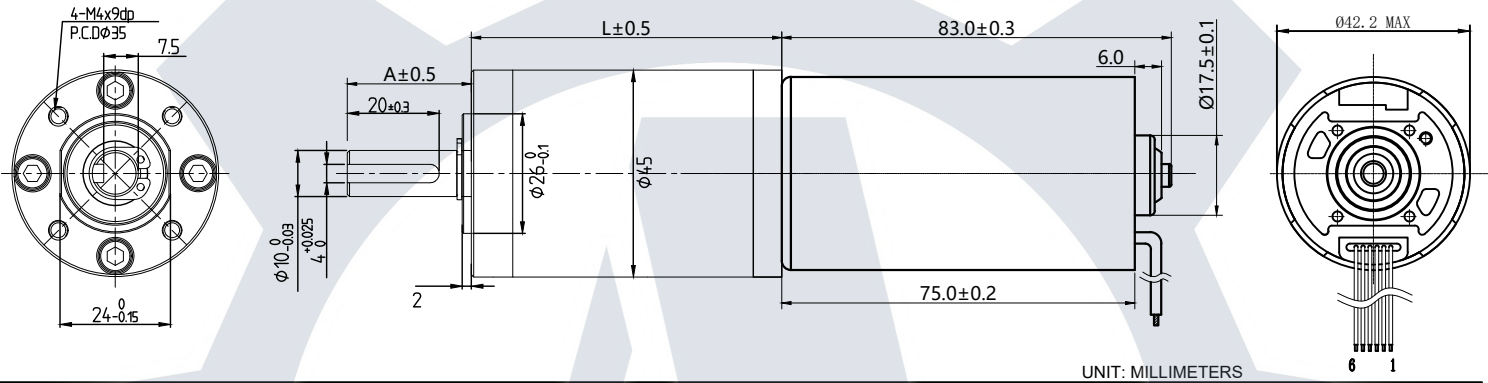


FAPG45-BL4275



Number of stages	1	2	3	4	5
Reduction Ratio(i)	3.7	10, 14, 19	32.5, 51, 71, 100	139, 188, 264, 369, 516	699, 997, 1367, 1911, 2672
Gearbox Length L (mm)	33.6	44.9	56.2	67.5	78.8
Shaft length A (mm)	Standard shaft 27mm long, Length and shape customizable				
Rated tolerance torque(kgf.cm)	50	100	200	200	200
Breaking Torque(kgf.cm)	100	300	600	600	600
Gearbox Efficiency	90%	81%	73%	65%	59%

外形尺寸 DIMENSION



直行星减速电机参数 PLANETARY GEARED MICRO DC MOTOR SPECS (voltage, current, torque, etc free customization)

电压 Voltage	减速比 Gear Ratio	1/3.7	1/10	1/14	1/19	1/33	1/51	1/71	1/100	1/139	1/188	1/264	1/369	1/516	1/699	1/1367	1/1911
12V	额定扭力 kgf.cm Rated Torque	1.48	4.00	4.90	6.65	11.55	15.30	21.30	30.00	41.70	47.00	66.00	92.25	129.00	174.75	341.75	477.75
	额定转速 RPM Rated Speed	1541	570	407	300	173	112	80	57	41	30	22	15	11	8	4	3
	瞬间容许扭力 kgf.cm Max Allowable Moment Torque	100.0	300.0	300.0	300.0	600.0	600.0	600.0	600.0	600.0	600.0	600.0	600.0	600.0	600.0	600.0	600.0
	空载转速 RPM No Load Speed	1838	680.0	485.7	357.9	206.1	133.3	95.8	68.0	48.9	36.2	25.8	18.4	13.2	9.7	5.0	3.6
24V	额定扭力 kgf.cm Rated Torque	3.39	9.17	11.23	15.24	26.47	35.07	48.82	68.76	95.58	107.72	151.27	211.44	295.67	400.53	783.29	1095.00
	额定转速 RPM Rated Speed	913	338	241	178	102	66	48	34	24	18	13	9	7	5	2	2
	瞬间容许扭力 kgf.cm Max Allowable Moment Torque	100.0	300.0	300.0	300.0	600.0	600.0	600.0	600.0	600.0	600.0	600.0	600.0	600.0	600.0	600.0	600.0
	空载转速 RPM No Load Speed	1110.8	411.0	293.6	216.3	124.5	80.6	57.9	41.1	29.6	21.9	15.6	11.1	8.0	5.9	3.0	2.2

电机参数 MICRO DC MOTOR SPECS (voltage, current, torque, etc free customization)

型号 Model	额定电压 Rated Voltage	空载 No Load		额定负载 RATED LOAD					堵转 Stall	
		转速 Speed	电流 Current	转速 Speed	电流 Current	扭矩 Torque	输出功率 Output	效率 Efficiency	扭矩 Torque	电流 Current
	VDC	RPM	A	RPM	A	gf.cm	W	%	gf.cm	A
FABL4275-12	12	6800	0.37	5700	2.85	500	29.26	85.6	3041	15.3
FABL4275-24	24	4110	0.45	3378	2.07	1146	39.74	80.0	6411	9.5