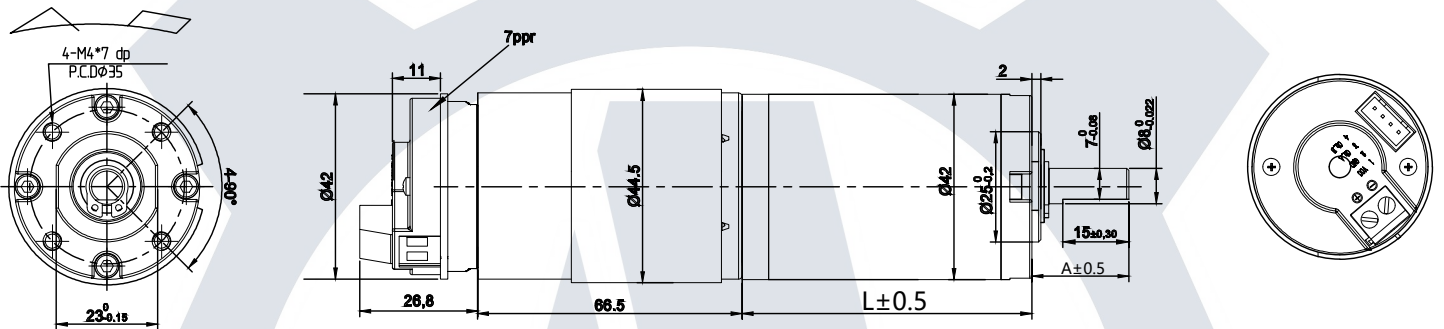


FAPG42-775-EN



Number of stages	1	2	3	4	5
Reduction Ratio(i)	3.7	10, 13.7, 19	32.5, 51, 71, 100	139, 188, 264, 396, 516	699, 997, 1367, 1911
Gearbox Length L (mm)	31.8	43.1	54.4	65.7	77
Shaft length A (mm)	Length and shape customizable				
Breaking Torque(kgf.cm)	150	300	600	600	600
Gearbox Efficiency	90%	81%	73%	65%	59%

外形尺寸 DIMENSION



UNIT: MILLIMETERS

直行星减速电机参数 PLANETARY GEARED MICRO DC MOTOR SPECS (voltage, current, torque, etc free customization)

电压 Voltage	减速比 Gear Ratio	1/3.7	1/10	1/13.7	1/19	1/31.5	1/51	1/71	1/100	1/139	1/188	1/264	1/396	1/516	1/699	1/997
12V	额定扭力 kgf.cm Rated Torque	2.13	5.18	7.10	9.85	15.18	23.83	33.17	46.72	57.82	78.21	109.82	164.74	214.66	263.94	376.47
	额定转速 RPM Rated Speed	1405	520	380	274	160	102	73	52	37	28	20	13	10	7	5
	瞬间容许扭力 kgf.cm Max Allowable Moment Torque	150.0	300.0	300.0	300.0	600.0	600.0	600.0	600.0	600.0	600.0	600.0	600.0	600.0	600.0	600.0
	空载转速 RPM No Load Speed	1622	600.0	438.0	315.8	184.6	117.6	84.5	60.0	43.2	31.9	22.7	15.2	11.6	8.6	6.0
24V	额定扭力 kgf.cm Rated Torque	2.62	6.38	8.74	12.13	18.70	29.34	40.84	57.52	71.20	96.29	135.22	202.83	264.30	324.98	463.53
	额定转速 RPM Rated Speed	1405	520	380	274	160	102	73	52	37	28	20	13	10	7	5
	瞬间容许扭力 kgf.cm Max Allowable Moment Torque	150.0	300.0	300.0	300.0	600.0	600.0	600.0	600.0	600.0	600.0	600.0	600.0	600.0	600.0	600.0
	空载转速 RPM No Load Speed	1621.6	600.0	438.0	315.8	184.6	117.6	84.5	60.0	43.2	31.9	22.7	15.2	11.6	8.6	6.0

电机参数 MICRO DC MOTOR SPECS (voltage, current, torque, etc free customization)

型号 Model	额定电压 Rated Voltage	空载 No Load		额定负载 RATED LOAD					堵转 Stall	
		转速 Speed	电流 Current	转速 Speed	电流 Current	扭矩 Torque	输出功率 Output	效率 Efficiency	扭矩 Torque	电流 Current
	VDC	RPM	A	RPM	A	gf.cm	W	%	gf.cm	A
FARS-775-V1	12	6000	1.1	5200	5	640	34.2	56.9	5141	35.7
FARS-775-V2	24	6000	0.6	5200	3.3	788	42.1	53.1	5468	19.6