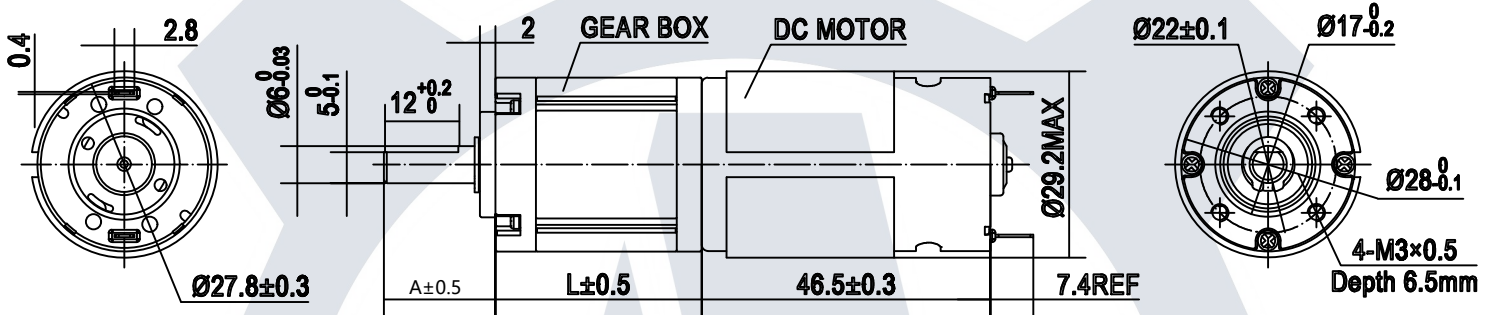


FAPG28-395



Number of stages	1	2	3	4	5
Reduction Ratio (i)	3, 5	11, 16, 21	38, 52, 72, 100	126, 175, 242, 334, 462	424, 586, 810, 1120, 1549
Gearbox Length L (mm)	21.7	27.4	33.2	39.0	44.8
Shaft length A (mm)	Length and shape customizable				
Breaking Torque(kgf.cm)	3.5	8.0	35.0	75.0	75.0
Gearbox Efficiency	80%	70%	60%	50%	40%

外形尺寸 DIMENSION



UNIT: MILLIMETERS

直流行星减速电机参数 PLANETARY GEARED MICRO DC MOTOR SPECS (voltage, current, torque, etc free customization)

电压 Voltage	减速比 Gear Ratio	1/3	1/5	1/11	1/16	1/21	1/38	1/52	1/72	1/100	1/126	1/175	1/334	1/462
12V	额定扭力 kgf.cm Rated Torque	0.23	0.39	0.75	1.09	1.43	2.21	3.03	4.19	5.82	6.11	8.49	16.20	22.41
	额定转速 RPM Rated Speed	1700	1020	464	319	243	134	98	71	51	40	29	15	11
	瞬间容许扭力 kgf.cm Max Allowable Moment Torque	3.5	3.5	8.0	8.0	8.0	35.0	35.0	35.0	35.0	75.0	75.0	75.0	75.0
	空载转速 RPM No Load Speed	2000	1200.0	545.5	375.0	285.7	157.9	115.4	83.3	60.0	47.6	34.3	18.0	13.0
24V	额定扭力 kgf.cm Rated Torque	0.24	0.40	0.76	1.11	1.46	2.26	3.09	4.28	5.94	6.24	8.66	16.53	22.87
	额定转速 RPM Rated Speed	1733	1040	473	325	248	137	100	72	52	41	30	16	11
	瞬间容许扭力 kgf.cm Max Allowable Moment Torque	3.5	3.5	8.0	8.0	8.0	35.0	35.0	35.0	35.0	75.0	75.0	75.0	75.0
	空载转速 RPM No Load Speed	2000.0	1200.0	545.5	375.0	285.7	157.9	115.4	83.3	60.0	47.6	34.3	18.0	13.0

电机参数 MICRO DC MOTOR SPECS (voltage, current, torque, etc free customization)

型号 Model	额定电压 Rated Voltage	空载 No Load		额定负载 RATED LOAD					堵转 Stall	
		转速 Speed	电流 Current	转速 Speed	电流 Current	扭矩 Torque	输出功率 Output	效率 Efficiency	扭矩 Torque	电流 Current
		RPM	A	RPM	A	gf.cm	W	%	gf.cm	A
FARS-395-V1	12	6000	0.2	5100	0.83	97	5.1	51.0	789	5.6
FARS-395-V2	24	6000	0.13	5200	0.45	99	5.3	48.9	725	2.7