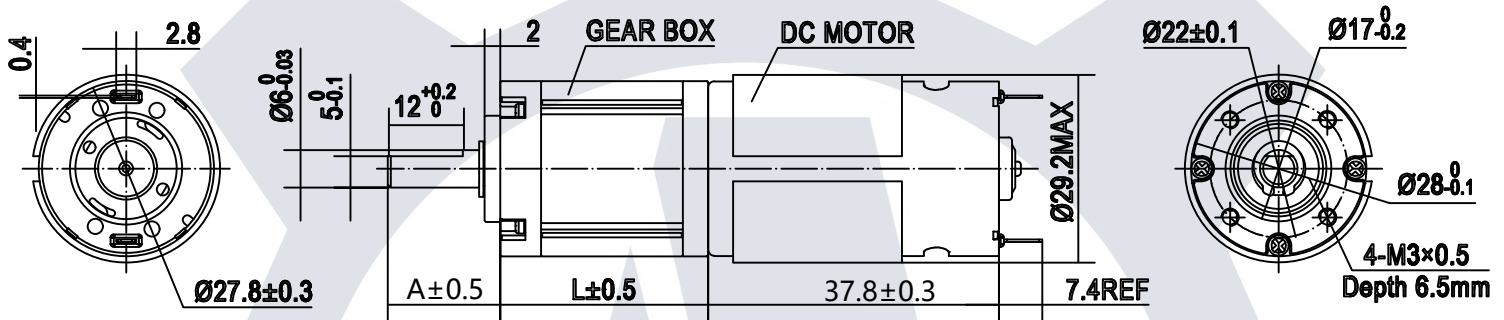


FAPG28-385



Number of stages	1	2	3	4	5
Reduction Ratio(i)	3, 5	11, 16, 21	38, 52, 72, 100	126, 175, 242, 334, 462	424, 586, 810, 1120, 1549
Gearbox Length L (mm)	21.7	27.4	33.2	39.0	44.8
Shaft length A (mm)	Length and shape customizable				
Breaking Torque(kgf.cm)	3.5	8.0	35.0	75.0	75.0
Gearbox Efficiency	80%	70%	60%	50%	40%

外形尺寸 DIMENSION



UNIT: MILLIMETERS

直流行星减速电机参数 PLANETARY GEARED MICRO DC MOTOR SPECS (voltage, current, torque, etc free customization)

电压 Voltage	减速比 Gear Ratio	1/3	1/5	1/11	1/16	1/21	1/38	1/52	1/72	1/100	1/126	1/175	1/334	1/462
7.4V	额定扭力 kgf.cm Rated Torque	0.17	0.29	0.55	0.80	1.05	1.63	2.23	3.08	4.28	4.50	6.25	11.92	16.49
	额定转速 RPM Rated Speed	1467	880	400	275	210	116	85	61	44	35	25	13	10
	瞬间容许扭力 kgf.cm Max Allowable Moment Torque	3.5	3.5	8.0	8.0	8.0	35.0	35.0	35.0	35.0	75.0	75.0	75.0	75.0
	空载转速 RPM No Load Speed	1733	1040.0	472.7	325.0	247.6	136.8	100.0	72.2	52.0	41.3	29.7	15.6	11.3
24V	额定扭力 kgf.cm Rated Torque	0.20	0.34	0.65	0.95	1.24	1.93	2.64	3.65	5.08	5.33	7.40	14.13	19.54
	额定转速 RPM Rated Speed	2473	1484	675	464	353	195	143	103	74	59	42	22	16
	瞬间容许扭力 kgf.cm Max Allowable Moment Torque	3.5	3.5	8.0	8.0	8.0	35.0	35.0	35.0	35.0	75.0	75.0	75.0	75.0
	空载转速 RPM No Load Speed	2900.0	1740.0	790.9	543.8	414.3	228.9	167.3	120.8	87.0	69.0	49.7	26.0	18.8

电机参数 MICRO DC MOTOR SPECS (voltage, current, torque, etc free customization)

型号 Model	额定电压 Rated Voltage	空载 No Load		额定负载 RATED LOAD					堵转 Stall	
		转速 Speed	电流 Current	转速 Speed	电流 Current	扭矩 Torque	输出功率 Output	效率 Efficiency	扭矩 Torque	电流 Current
		RPM	A	RPM	A	gf.cm	W	%	gf.cm	A
FARS-385PH-23145	7.4	5200	0.227	4400	0.65	71.4	3.23	67.1	464.1	2.98
FARS-385PH-16140	24	8700	0.07	7420	0.41	84.6	6.44	65.5	575	2.35