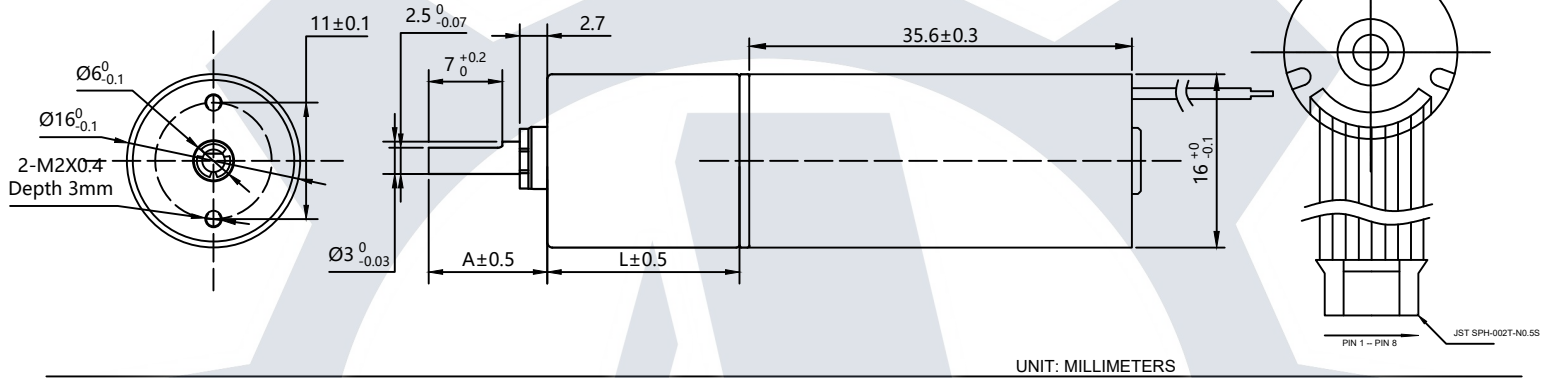


FAPG16-1636RB



Number of stages	1	2	3	4	5
Reduction Ratio(i)	4, 5	16, 19, 23	64, 76, 90, 107	256, 304, 361, 428, 509, 688	1024, 1216, 1444, 1715
Gearbox Length L (mm)	12.2	15.8	19.4	23.0	26.6
Shaft length A (mm)	Length and shape customizable				
Breaking Torque(kgf.cm)	3.0	4.5	6.0	7.5	9.0
Gearbox Efficiency	80%	70%	60%	50%	40%

外形尺寸 DIMENSION



直流行星减速电机参数

PLANETARY GEARED MICRO DC MOTOR SPECS (voltage, current, torque, etc free customization)

电压 Voltage	减速比 Gear Ratio	1/4	1/5	1/16	1/19	1/23	1/64	1/76	1/90	1/107	1/256	1/304	1/361	1/509
12V	额定扭力 kgf.cm Rated Torque	0.16	0.20	0.57	0.68	0.82	1.96	2.33	2.75	3.27	6.53	7.75	9.21	12.98
	额定转速 RPM Rated Speed	4868	3894	1217	1025	847	304	256	216	182	76	64	54	38
	瞬间容许扭力 kgf.cm Max Allowable Moment Torque	1.5	1.5	2.0	2.0	2.0	3.5	3.5	3.5	3.5	3.5	3.5	3.5	3.5
	空载转速 RPM No Load Speed	5500	4400	1375	1158	956.5	343.8	289.5	244.4	205.6	85.9	72.4	60.9	43.2
24V	额定扭力 kgf.cm Rated Torque	0.16	0.20	0.57	0.68	0.82	1.96	2.33	2.75	3.27	6.53	7.75	9.21	12.98
	额定转速 RPM Rated Speed	2779	2223	695	585	483	174	146	124	104	43	37	31	22
	瞬间容许扭力 kgf.cm Max Allowable Moment Torque	1.5	1.5	2.0	2.0	2.0	3.5	3.5	3.5	3.5	3.5	3.5	3.5	3.5
	空载转速 RPM No Load Speed	3250	2600	812.5	684.2	565.2	203.1	171.1	144.4	121.5	50.8	42.8	36.0	25.5

电机参数 MICRO DC MOTOR SPECS (voltage, current, torque, etc free customization)

型号 Model	额定电压 Rated Voltage	空载 No Load		额定负载 RATED LOAD					堵转 Stall	
		转速 Speed	电流 Current	转速 Speed	电流 Current	扭矩 Torque	输出功率 Output	效率 Efficiency	扭矩 Torque	电流 Current
		RPM	A	RPM	A	gf.cm	W	%	gf.cm	A
FA1636RB-04A	12	22000	0.18	19470	1.15	51	10.2	73.87	446.4	8.58
FA1636RB-01A	24	13000	0.085	11115	0.36	51	5.8	67.36	352.5	2.00