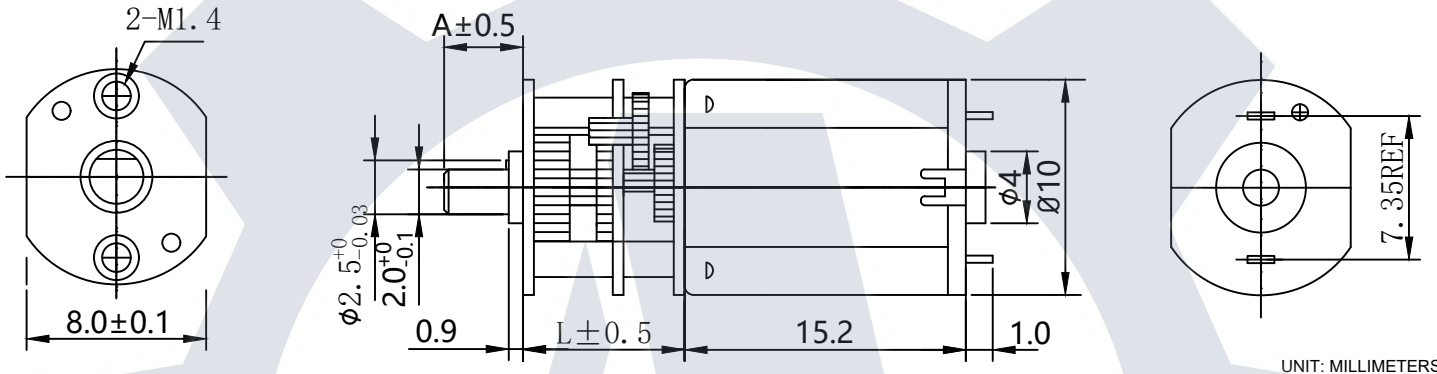


FAGM10-M20



Number of stages	4	5
Reduction ratio	10, 30, 50	100, 150, 200, 250
Gearbox length 'L' mm	9	
Shaft length 'A' mm	D shape, Ø2.5, D-cut 0.5mm, length customizable.	
Breaking torque(kgf.cm)	0.6	0.9
Gearbox efficiency	65%	59%

外形尺寸 DIMENSION



直流正齿减速电机参数 SPUR GEARED MICRO DC MOTOR SPECS (voltage, current, torque, etc free customization)

电压 Voltage	减速比 Gear Ratio	100	150	200	250					
3V	额定扭力 kgf.cm Rated Torque	0.08	0.11	0.15	0.19					
	额定转速 RPM Rated Speed	135	90	68	54					
	瞬间容许扭力 kgf.cm Max Allowable Moment Torque	1.0	1.0	1.0	1.0					
	空载转速 RPM No Load Speed	157	105	79	63					
4.5V	额定扭力 kgf.cm Rated Torque	0.10	0.15	0.20	0.24					
	额定转速 RPM Rated Speed	140	93	70	56					
	瞬间容许扭力 kgf.cm Max Allowable Moment Torque	1.0	1.0	1.0	1.0					
	空载转速 RPM No Load Speed	162.5	108.3	81.3	65.0					

电机参数 MICRO DC MOTOR SPECS(voltage, current, torque, etc free customization)

型号 Model	额定电压 Rated Voltage	空载 No Load		额定负载 RATED LOAD					堵转 Stall	
		转速 Speed	电流 Current	转速 Speed	电流 Current	扭矩 Torque	输出功率 Output	效率 Efficiency	扭矩 Torque	电流 Current
		RPM	A	RPM	A	gf.cm	W	%	gf.cm	A
FAFF-M20-V1	3	15700	0.04	13500	0.1	1	0.139	46.2	7	0.5
FAFF-M20-V2	4.5	16250	0.05	14000	0.12	1.3	0.187	34.6	6	0.45