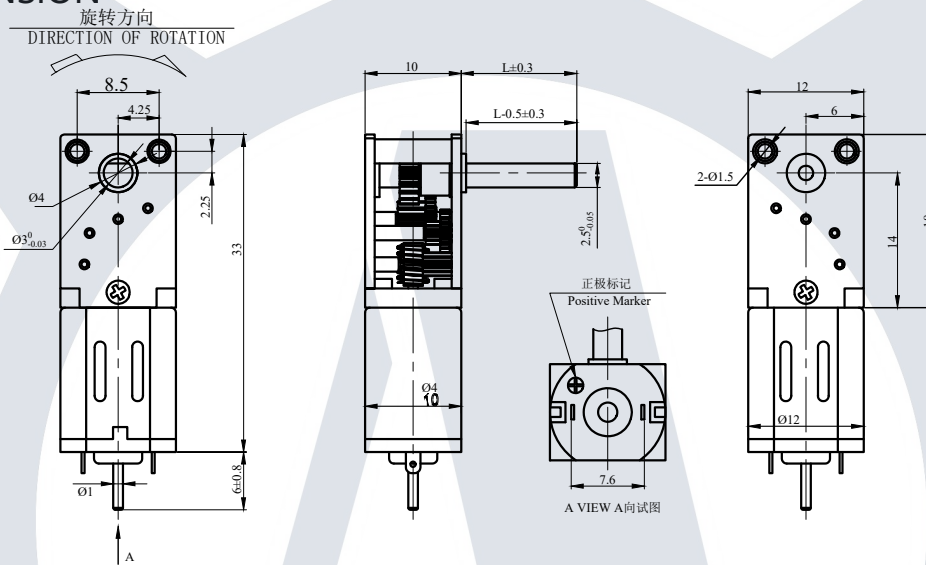


FA-WG1218-N20



| | | | |
|-------------------------|--|---------------|----------------|
| Number of stages | 3 | 4 | 5 |
| Reduction ratio | 118, 238 | 305, 450, 520 | 603, 780, 1030 |
| Shaft length 'L' mm | Standard length: 4.5, 10, free custom; Standard shape: Ø3 D-cut 0.5mm, other: dual flat, M3, M4, etc. | | |
| Breaking torque(kgf.cm) | 5 | 5 | 5 |
| Gearbox efficiency | 47.1% | 42.4% | 38.2% |

外形尺寸 DIMENSION



UNIT: MILLIMETERS

直流正齿减速电机参数 SPUR GEARED MICRO DC MOTOR SPECS (voltage, current, torque, etc free customization)

| 电压 Voltage | 级数 number of stages | 3 | 3 | 4 | 4 | 4 | 5 | 5 | 5 |
|---------------|---------------------------------|-------|-------|------|------|------|------|------|------|
| | 减速比 Gear Ratio | 118 | 236 | 305 | 450 | 520 | 603 | 780 | 1030 |
| 5V | 额定扭力 Rated Torque - kgf.cm | 0.26 | 0.52 | 0.61 | 0.90 | 1.04 | 1.09 | 1.40 | 1.86 |
| | 额定转速 Rated Speed - RPM | 140 | 70 | 54 | 37 | 32 | 27 | 21 | 16 |
| | 瞬间容许扭力 Breaking Torque - kgf.cm | 5.0 | 5.0 | 5.0 | 5.0 | 5.0 | 5.0 | 5.0 | 5.0 |
| | 空载转速 No Load Speed - RPM | 169 | 85 | 66 | 44 | 38 | 33 | 26 | 19 |
| 12V | 额定扭力 Rated Torque - kgf.cm | 0.30 | 0.59 | 0.69 | 1.02 | 1.17 | 1.22 | 1.58 | 2.09 |
| | 额定转速 Rated Speed - RPM | 194 | 97 | 75 | 51 | 44 | 38 | 29 | 22 |
| | 瞬间容许扭力 Breaking Torque - kgf.cm | 5.0 | 5.0 | 5.0 | 5.0 | 5.0 | 5.0 | 5.0 | 5.0 |
| | 空载转速 No Load Speed - RPM | 248.3 | 124.2 | 96.1 | 65.1 | 56.3 | 48.6 | 37.6 | 28.4 |

电机参数 MICRO DC MOTOR SPECS (voltage, current, torque, etc free customization)

| 型号 Model | 额定电压 Rated Voltage | 空载 No Load | | 额定负载 RATED LOAD | | | | | 堵转 Stall | |
|-------------|-----------------------|-------------|---------------|-----------------|---------------|--------------|----------------|------------------|--------------|---------------|
| | | 转速 Speed | 电流 Current | 转速 Speed | 电流 Current | 扭矩 Torque | 输出功率 Output | 效率 Efficiency | 扭矩 Torque | 电流 Current |
| | VDC | RPM | A | RPM | A | gf.cm | W | % | gf.cm | A |
| FF-N20-V1 | 5 | 20000 | 0.076 | 16486 | 0.312 | 4.72 | 0.799 | 51.2 | 24 | 1.28 |
| FF-N20-V2 | 12 | 29300 | 0.066 | 22842 | 0.233 | 5.32 | 1.248 | 44.3 | 24 | 0.83 |