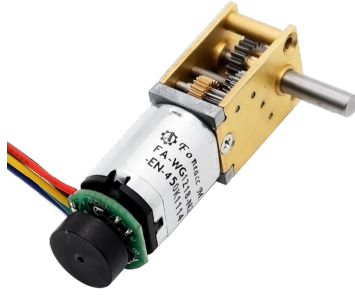
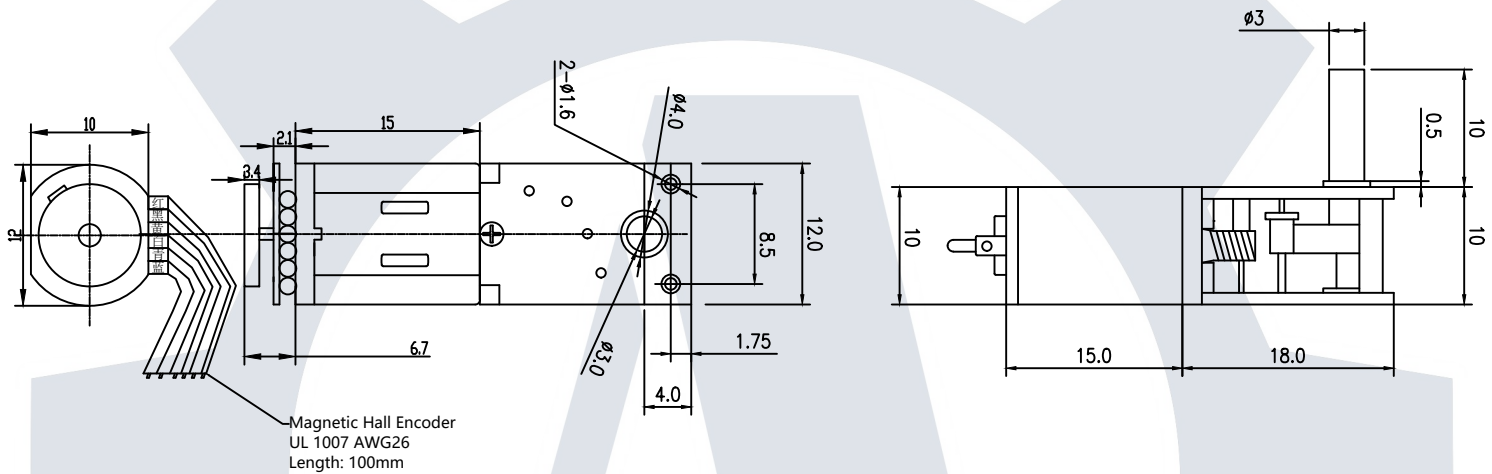


**FA-WG1218-N20-EN**


Number of stages	3	4	5
Reduction ratio	118, 238	305, 450, 520	603, 780, 1030
Shaft length 'L' mm	Standard length: 4.5, 10, free custom; Standard shape: Ø3 D-cut 0.5mm, other: dual flat, M3, M4, etc.		
Breaking torque(kgf.cm)	5	5	5
Gearbox efficiency	47.1%	42.4%	38.2%

**外形尺寸 DIMENSION**


UNIT: MILLIMETERS

**直流正齿减速电机参数 SPUR GEARED MICRO DC MOTOR SPECS**  
 (voltage, current, torque, etc free customization)

电压 Voltage	级数 number of stages	3	3	4	4	4	5	5	5
	减速比 Gear Ratio	118	236	305	450	520	603	780	1030
5V	额定扭力 Rated Torque - kgf.cm	0.26	0.52	0.61	0.90	1.04	1.09	1.40	1.86
	额定转速 Rated Speed - RPM	140	70	54	37	32	27	21	16
	瞬间容许扭力 Breaking Torque - kgf.cm	5.0	5.0	5.0	5.0	5.0	5.0	5.0	5.0
	空载转速 No Load Speed - RPM	169	85	66	44	38	33	26	19
12V	额定扭力 Rated Torque - kgf.cm	0.30	0.59	0.69	1.02	1.17	1.22	1.58	2.09
	额定转速 Rated Speed - RPM	194	97	75	51	44	38	29	22
	瞬间容许扭力 Breaking Torque - kgf.cm	5.0	5.0	5.0	5.0	5.0	5.0	5.0	5.0
	空载转速 No Load Speed - RPM	248.3	124.2	96.1	65.1	56.3	48.6	37.6	28.4

**电机参数 MICRO DC MOTOR SPECS (voltage, current, torque, etc free customization)**

型号 Model	额定电压 Rated Voltage	空载 No Load		额定负载 RATED LOAD					堵转 Stall	
		转速 Speed	电流 Current	转速 Speed	电流 Current	扭矩 Torque	输出功率 Output	效率 Efficiency	扭矩 Torque	电流 Current
	VDC	RPM	A	RPM	A	gf.cm	W	%	gf.cm	A
FF-N20-V1	5	20000	0.076	16486	0.312	4.72	0.799	51.2	24	1.28
FF-N20-V2	12	29300	0.066	22842	0.233	5.32	1.248	44.3	24	0.83