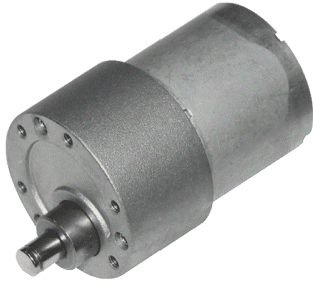
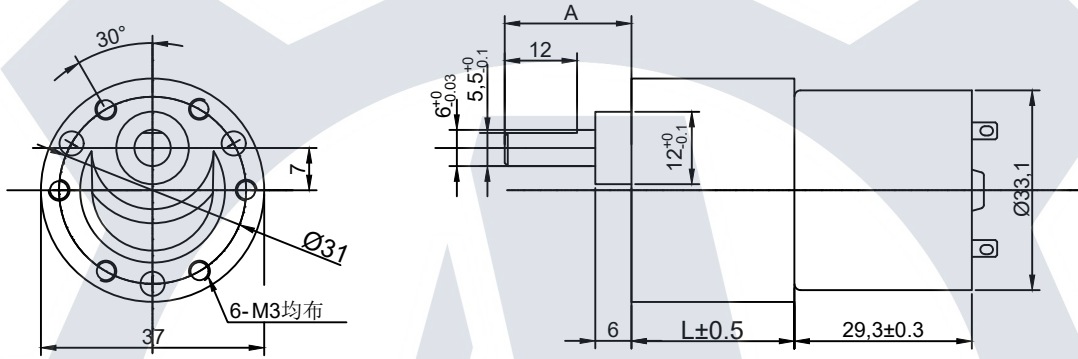


FAGS37-528



Number of stages	2	3	4	5	6
Reduction ratio	10	16.7, 23.3, 30, 36	50, 60, 70, 90	110, 121, 150, 180, 210, 270	350, 405, 450, 490, 540, 630, 810
Gearbox length 'L' mm	19	21.50	24	26.5	29
Shaft length 'A' mm	Shape: Ø6 D-cut 0.5mm, length and shape customizable.				
Breaking torque(kgf.cm)	8	10	30	35	40
Gearbox efficiency	81%	73%	65%	59%	53%

外形尺寸 DIMENSION



UNIT: MILLIMETERS

直流正齿减速电机参数

SPUR GEARED MICRO DC MOTOR SPECS (voltage, current, torque, etc free customization)

电压 Voltage	级数 number of stages	2		3			4			5			6										
	减速比 Gear Ratio	10	16.7	23.3	30	36	50	60	70	90	110	121	150	180	210	270	350	405	450	490	540	630	810
12V	额定扭力 kgf.cm Rated Torque	0.37	0.57	0.79	1.02	1.22	1.54	1.85	2.16	2.78	3.09	3.40	4.21	5.05	5.90	7.58	8.94	10.35	11.50	12.52	13.80	16.10	20.70
	额定转速 RPM Rated Speed	560	335	240	187	156	112	93	80	62	51	46	37	31	27	21	16	14	12	11	10	9	7
	瞬间容许扭力 kgf.cm Max Allowable Moment Torque	30.0	30.0	30.0	30.0	30.0	30.0	30.0	30.0	30.0	30.0	30.0	30.0	30.0	30.0	30.0	30.0	30.0	30.0	30.0	30.0	30.0	30.0
	空载转速 RPM No Load Speed	700	419	300	233	194	140	117	100	78	64	58	47	39	33	26	20	17	16	14	13	11	9
24V	额定扭力 kgf.cm Rated Torque	0.41	0.63	0.88	1.13	1.36	1.71	2.06	2.40	3.09	3.43	3.78	4.68	5.62	6.55	8.42	9.94	11.50	12.78	13.91	15.33	17.89	23.00
	额定转速 RPM Rated Speed	530	317	227	177	147	106	88	76	59	48	44	35	29	25	20	15	13	12	11	10	8	7
	瞬间容许扭力 kgf.cm Max Allowable Moment Torque	30.0	30.0	30.0	30.0	30.0	30.0	30.0	30.0	30.0	30.0	30.0	30.0	30.0	30.0	30.0	30.0	30.0	30.0	30.0	30.0	30.0	30.0
	空载转速 RPM No Load Speed	670	401.2	287.6	223.3	186.1	134	111.7	95.7	74.4	60.9	55.4	44.7	37.2	31.9	24.8	19.1	16.5	14.9	13.7	12.4	10.6	8.3

电机参数 MICRO DC MOTOR SPECS (voltage, current, torque, etc free customization)

型号 Model	额定电压 Rated Voltage	空载 No Load		额定负载 RATED LOAD					堵转 Stall	
		转速 Speed	电流 Current	转速 Speed	电流 Current	扭矩 Torque	输出功率 Output	效率 Efficiency	扭矩 Torque	电流 Current
	VDC	RPM	A	RPM	A	gf.cm	W	%	gf.cm	A
FARS-528CH-18250	12	7000	0.06	5600	0.32	45	2.587	67.4	225	1.36
FARS-528CH-17300	24	6700	0.03	5300	0.2	50	2.721	56.7	239	0.84